



恒鑫过滤  
HengXin Filtration



# 湖州恒鑫过滤

## 科技有限公司

Huzhou Hengxin Filter Technology Co.,ltd

### PP/PVDF壳体全塑过滤器

PP /PVDF Plastic Filter Housings

耐酸碱  耐腐蚀  耐有机溶剂



塑料过滤器专业制造商 / Plastic Filter Manufacturer

## CE certificate

大滤芯过滤器采用PP/PVDF为原料, 具有通量大、使用寿命长, 可广泛运用于污水及废水回用, 海水淡化, 苦咸水处理, 化工酸碱液体过滤, 电镀等领域。

High Flow series filter uses PP/PVDF as raw material .Can be widely used sewage and Wastewater reuse,Desalination, Brackish Water,Acid and alkali liquid filtration in Chemical industry , Electroplating indust and other fields. It is characterwith high flow, long working life and good operation of complex liquid.

### ◆ 专利产品

Patented product

### ◆ 耐酸碱

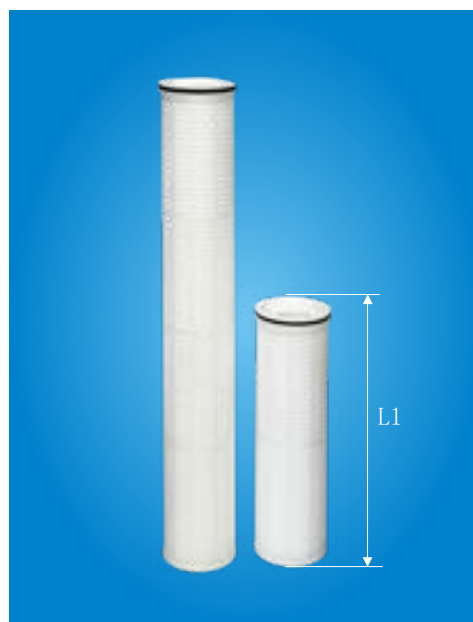
Acid & alkai resistant

### ◆ 耐高温

High temperature resistant

### ◆ 耐有机溶剂

Organic solvents resistance



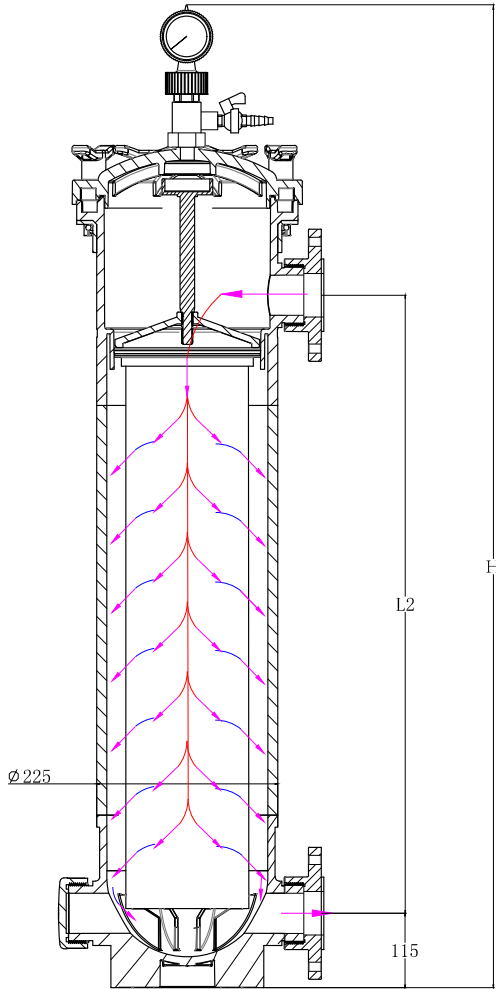
型号 Type	材质 Material	尺寸 Size(mm)	滤芯高度 L1(mm)	进出水高度 L2(mm)	进出水口 In/Out(mm)	最大工作压力 Max pressure
PF20-C	PP/PVDF	Ø225-H1096	525	588	FLG: DN50/ ANSI2"	PP:0.8MPA(116PSI) PVDF:1.0MPA(150PSI)
PF40-C		Ø225-H1586	1015	1078		

Note:

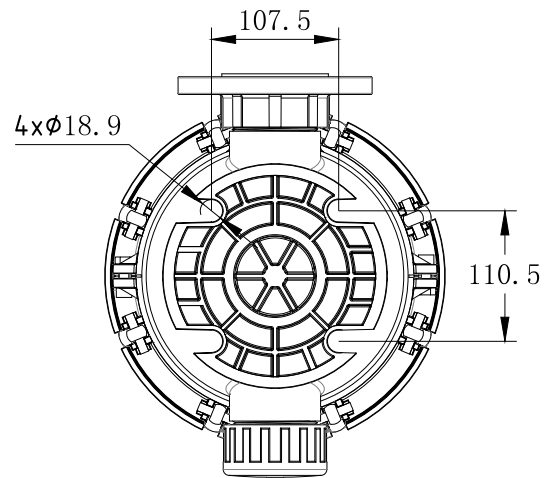
桶体内放置大通量滤芯1只;

It can install high flow cartridge one PCS.

CE certificate



水流示意图  
Flow Diagram



底座定位图  
Pedestal Location

### 产品优势/Product Merits

- 1、耐压高：PP材质过滤器耐压为0.8MPa，PVDF材质过滤器耐压为1.0MPa；
- 2、耐高温：PP材质过滤器耐温可达65℃；PVDF材质过滤器耐温可达100℃；
- 3、耐腐蚀，耐酸碱，耐有机溶剂，可用于化工，电镀等领域；
- 4、过滤精度高，过滤范围为0.5–200微米；
- 5、安装拆卸方便。

- 1、High pressure: PP material filter pressure is 0.8 MPa; PVDF material filter pressure is 1.0 MPa;
- 2、High temperature resistance: PP material filter temperature resistance up to 65 °C, PVDF material filter temperature resistance up to 100 °C;
- 3、Corrosion resistance, acid and alkali resistance, organic solvent resistance, Chemical industry, electroplating and other fields;
- 4、High precision, the filter range can be from 0.5~200um.
- 5、Easy to install and disassemble.



## CE certificate

全塑袋式过滤系统是一种新型的过滤系统，具有过滤精度高，处理量大，使用、维护方便等特点。因此可广泛应用于污水处理，中水回用，酸碱液体过滤，化工，电镀，泳池温泉水过滤等领域。

Bag filter system is a new filter system. It is character with high precision, big flow, easy installation and maintenance. So it can be widely used in sewage and wastewater reuse, Desalination, Brackish Water , Acid and alkali liquid filtration, Chemical industry, electroplating, swimming pool, hot spring water filtration and other fields.

### ◆ 专利产品

Patented product

### ◆ 耐酸碱

Acid & alkai resistant

### ◆ 耐高温

High temperature resistant

### ◆ 耐有机溶剂

Organic solvents resistance



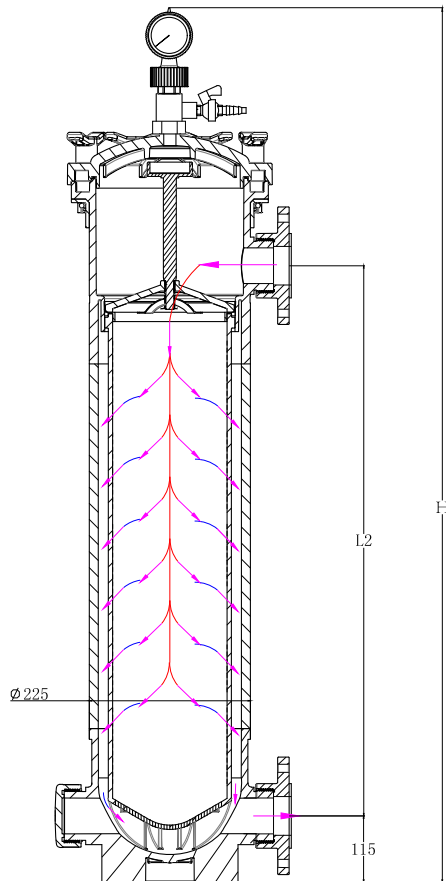
型号 Type	材质 Material	尺寸 Size(mm)	滤袋尺寸 Bag size	进出水高度 L2(mm)	进出水口 In/Out(mm)	最大工作压力 Max pressure
HXP-BF-C-1-PP	PP	Ø225-H905	Q"(178mm)-H17"(419mm)	387	法兰FLG: DN 50/ANSI 2"	0.8MPA(116PSI)
HXP-BF-C-2-PP		Ø225-H1285	Q"(178mm)-H32"(813mm)	767		
HXP-BF-C-1-PVDF	PVDF	Ø225-H905	Q"(178mm)-H17"(419mm)	387		1.0MPA(150PSI)
HXP-BF-C-2-PVDF		Ø225-H1285	Q"(178mm)-H32"(813mm)	767		

Note:

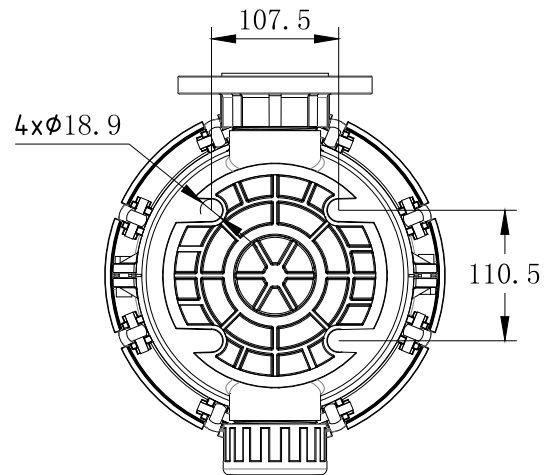
桶体内安装各种材质各种精度滤袋1只;

It can install all material, all precision' s fiter bag 1 pcs .

CE certificate



水流示意图  
Flow Diagram

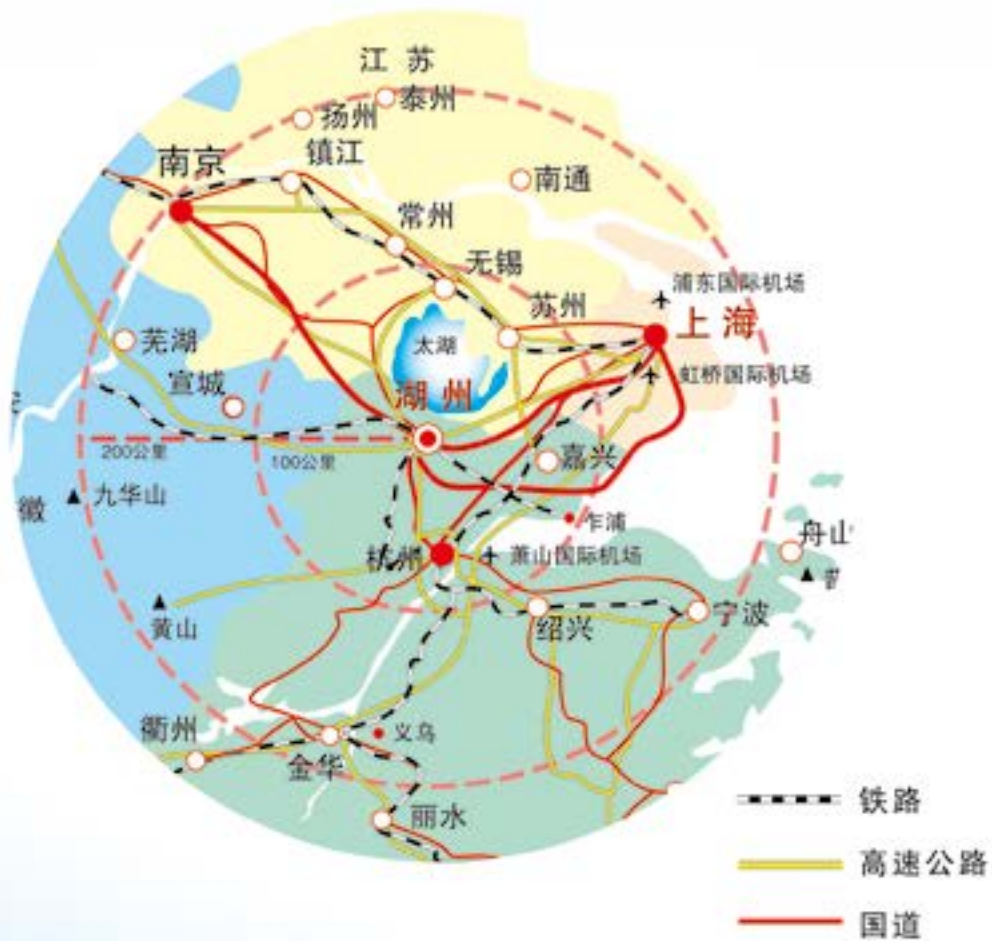


底座定位图  
Pedestal Location

### 产品优势/Product Merits

- 1、耐压高：PP材质过滤器耐压为0.8MPa，PVDF材质过滤器耐压为1.0MPa；
- 2、耐高温：PP材质过滤器耐温可达65℃；PVDF材质过滤器耐温可达100℃；
- 3、耐腐蚀，耐酸碱，耐有机溶剂，可用于化工，电镀等领域；
- 4、过滤精度高，过滤范围为0.5–200微米；
- 5、安装拆卸方便。

- 1、High pressure: PP material filter pressure is 0.8 MPa; PVDF material filter pressure is 1.0 MPa;
- 2、High temperature resistance: PP material filter temperature resistance up to 65 °C, PVDF material filter temperature resistance up to 100 °C;
- 3、Corrosion resistance, acid and alkali resistance, organic solvent resistance, Chemical industry, electroplating and other fields;
- 4、High precision, the filter range can be from 0.5~200um.
- 5、Easy to install and disassemble.



## 湖州恒鑫过滤科技有限公司

HuZhou HengXin Filter Technology Co., Ltd

地址：浙江省湖州市八里店工业园区

(Add): Balidian Industrial Zone, Huzhou, Zhejiang, China

电话 (Tel): 86-572-2812276 (国内销售)

86-572-2812278 (foreign trade department)

传真 (Fax): 86-572-2812277

网址: <http://www.hxplastics.com> (国内销售)

<http://www.hengxinfilter.com> (foreign trade department)

E-mail: [info@hxplastics.com](mailto:info@hxplastics.com) (国内销售)

[jessica@hxplastics.com](mailto:jessica@hxplastics.com) (foreign trade department)



企业微信公众号